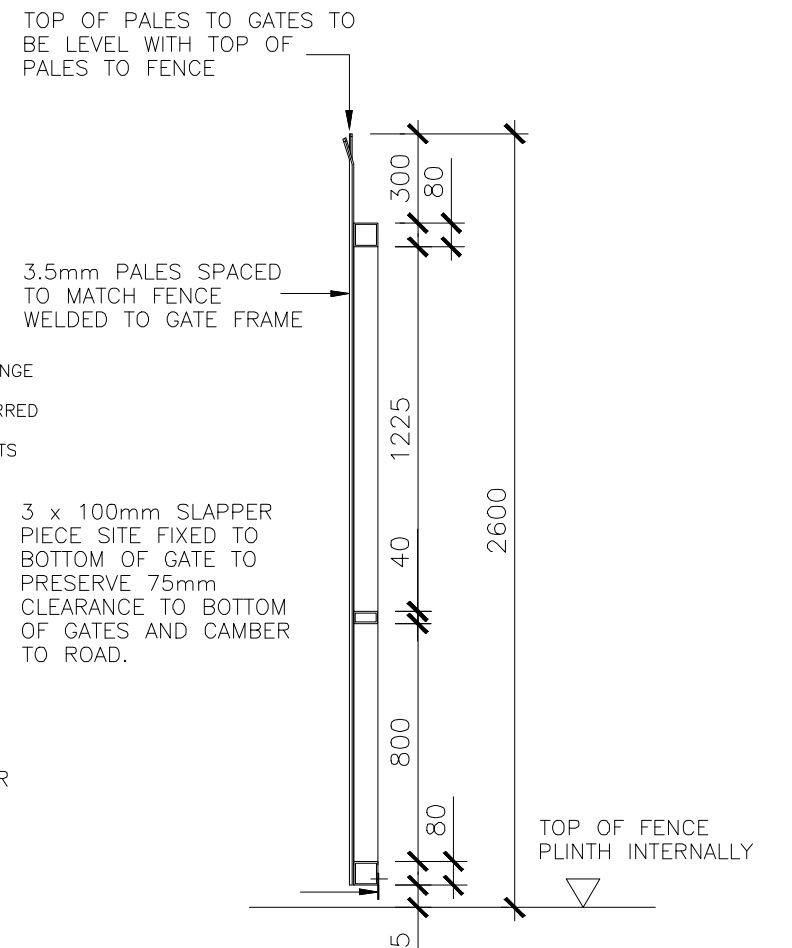
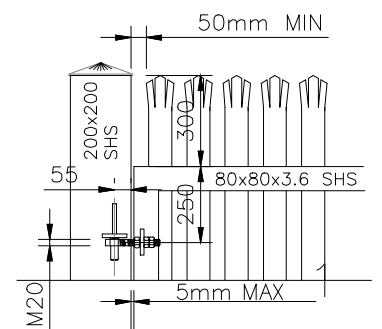


**ELEVATION TO INSIDE OF GATES**  
SCALE 1:25

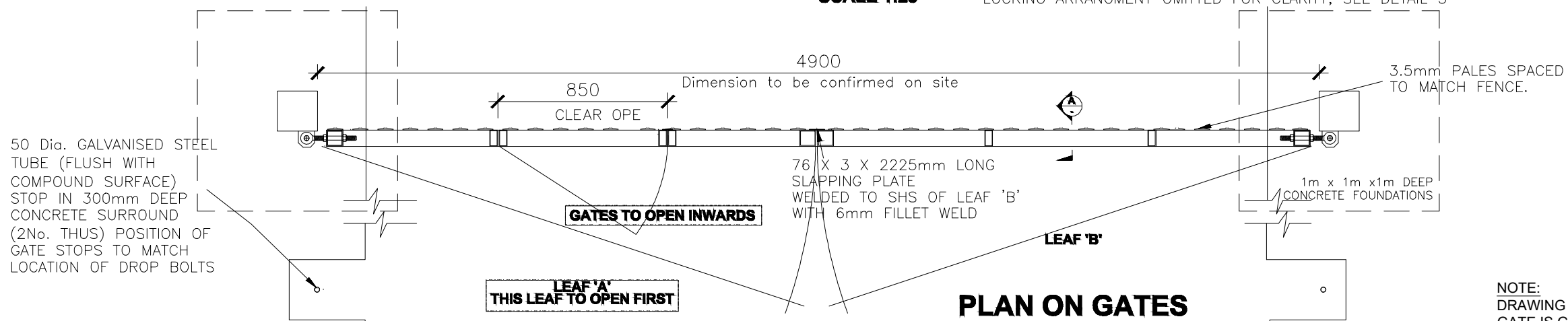
LOCKING ARRANGMENT OMITTED FOR CLARITY, SEE DETAIL 3



**SECTION A-A**  
SCALE 1:25



**Detail 1**  
Scale 1:20



**PLAN ON GATES**  
SCALE 1:25

**NOTE:**  
DRAWING FOR INFORMATION PURPOSES ONLY.  
GATE IS GREEN IN COLOUR.  
ALL CONSTRUCTION DETAILS TO BE CONFIRMED WITH ESB PRIOR TO FABRICATION.  
75MM EARTHING DUCT TO BE PROVIDED AT BOTH GATE POSTS.  
PROVIDE GATE STOPS TO PREVENT GATE SWING.



**Malachy Walsh and Partners**  
Engineering and Environmental Consultants  
Cork | Tralee | London | Limerick



Reen Point, Blennerville, Tralee, Co. Kerry, V92 X2TK  
Tel : +353 (0)66 7123404  
E-mail : tralee@mwp.ie

REV	DATE	DESCRIPTION	BY	APP
A	23.01.2020	ISSUED FOR PLANNING	AS	JOL

CLIENT: **H&MV ENGINEERING**  
High Voltage Specialists

PROJECT:	HARRISTOWN 110kV SUBSTATION
TITLE:	COMPOUND ENTRANCE GATE DETAILS

DRAWN:	AS	CHECKED:	DT	APPROVED:	JOL
DATE:	23.04.2019	SCALE @ A3:	NTS		
PROJECT NUMBER:	20205	DRAWING STATUS:			
DRAWING NUMBER:	20205-MWP-SS-00-DR-C-5030	REV:	A		